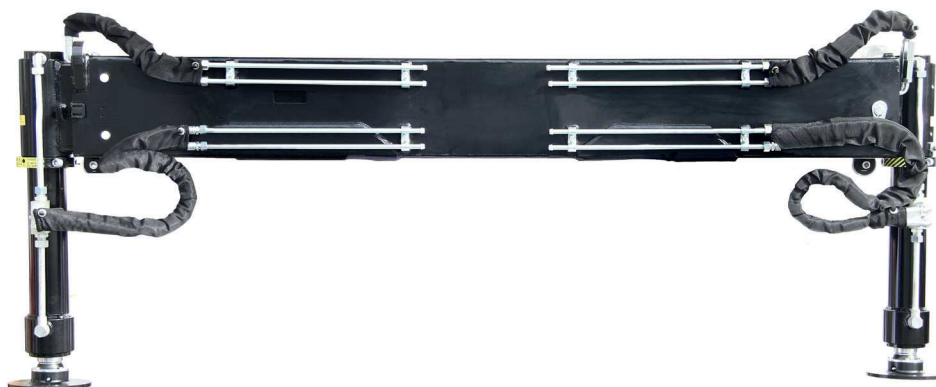


HYDRAULISET TUKIJALAT

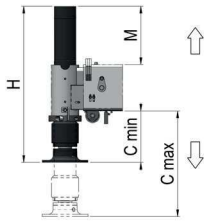
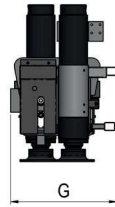
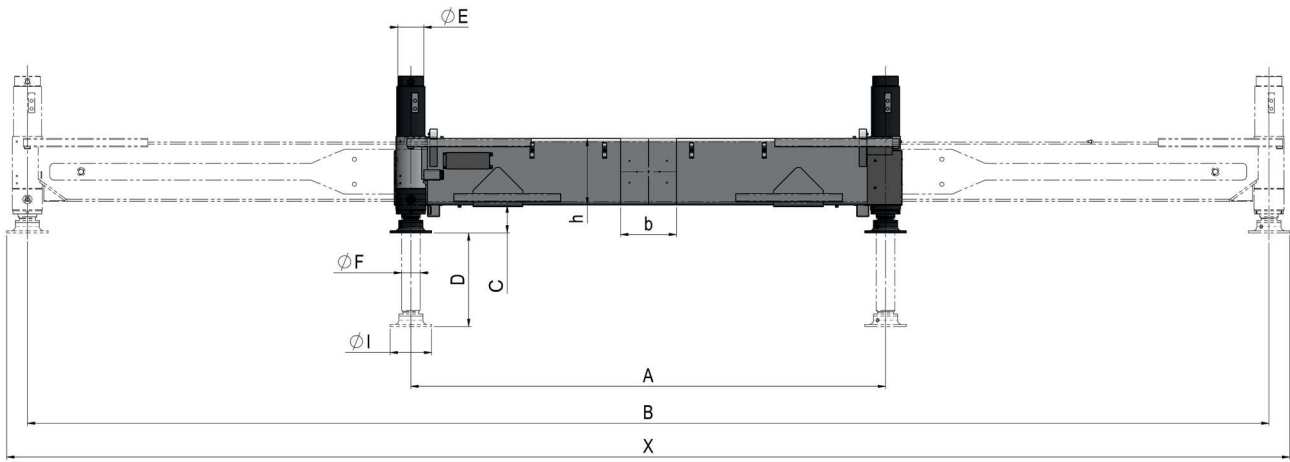


| tyyppi | nosturi R. | | paino | A | B | X | hxb | G | C | | I | D | E | F | H | M | lisäva- rusteet | | | |
|-----------------|------------|-------|-------|------|------|------|---------|-----|-----|-----|-----|-----|-----|----|-----|-----|--------------------|---|---|---|
| | Ton/m | daN | | | | | | | Max | Min | | | | | | | Max | 1 | 2 | 3 |
| EVO 28 3.3/L H | 12>25 | 6300 | 209 | 2110 | 3310 | 3510 | 200x100 | - | 200 | 610 | 200 | 605 | 85 | 60 | 860 | 420 | • | ○ | ○ | ○ |
| EVO 28 3.3 H | 12>25 | 6300 | 199 | 2110 | 3310 | 3510 | 200x100 | - | 200 | 450 | 200 | 450 | 85 | 60 | 710 | 265 | • | ○ | ○ | ○ |
| EVO 28 4.4/L H | 12>25 | 6200 | 287 | 2120 | 4410 | 4610 | 200x200 | - | 200 | 610 | 200 | 605 | 85 | 60 | 860 | 425 | • | ○ | ○ | ○ |
| EVO 28 4.4 H | 12>25 | 6200 | 281 | 2120 | 4410 | 4610 | 200x200 | - | 200 | 450 | 200 | 450 | 85 | 60 | 710 | 270 | • | ○ | ○ | ○ |
| EVO 38 3.3/L H | 19>36 | 9000 | 283 | 2100 | 3300 | 3500 | 200x120 | - | 235 | 710 | 200 | 650 | 95 | 60 | 970 | 540 | • | ○ | ○ | ○ |
| EVO 38 3.3 H | 19>36 | 9000 | 255 | 2100 | 3300 | 3500 | 200x120 | - | 235 | 540 | 200 | 500 | 95 | 60 | 830 | 390 | • | ○ | ○ | ○ |
| EVO 38 3.3/S H | 19>36 | 9000 | 227 | 2100 | 3300 | 3500 | 200x120 | - | 235 | 440 | 200 | 400 | 95 | 60 | 680 | 240 | • | ○ | ○ | ○ |
| EVO 38 4.7/L H | 19>36 | 8600 | 350 | 2110 | 4710 | 4910 | 200x240 | - | 235 | 710 | 200 | 650 | 95 | 60 | 970 | 540 | • | ○ | ○ | ○ |
| EVO 38 4.7 H | 19>36 | 8600 | 340 | 2110 | 4710 | 4910 | 200x240 | - | 235 | 540 | 200 | 500 | 95 | 60 | 830 | 390 | • | ○ | ○ | ○ |
| EVO 38 4.7/S H | 19>36 | 8600 | 330 | 2110 | 4710 | 4910 | 200x240 | - | 235 | 440 | 200 | 400 | 95 | 60 | 680 | 240 | • | ○ | ○ | ○ |
| EVO 48 5.0/L H | 25>40 | 10500 | 425 | 2200 | 5000 | 5200 | 250x240 | - | 235 | 660 | 200 | 650 | 95 | 60 | 970 | 520 | • | ○ | ○ | ○ |
| EVO 48 5.0 H | 25>40 | 10500 | 416 | 2200 | 5000 | 5200 | 250x240 | - | 235 | 500 | 200 | 500 | 95 | 60 | 830 | 370 | • | ○ | ○ | ○ |
| EVO 48 5.0/S H | 25>40 | 10500 | 407 | 2200 | 5000 | 5200 | 250x240 | - | 235 | 390 | 200 | 400 | 95 | 60 | 680 | 220 | • | ○ | ○ | ○ |
| EVO 68 5.0 H | 40>60 | 14000 | 520 | 2200 | 5000 | 5200 | 300x240 | - | 230 | 615 | 200 | 650 | 105 | 70 | 930 | 400 | • | ○ | ○ | ○ |
| EVO 68 5.0/S H | 40>60 | 14000 | 526 | 2200 | 5000 | 5200 | 300x240 | - | 230 | 440 | 200 | 500 | 105 | 70 | 780 | 250 | • | ○ | ○ | ○ |
| EVO 88 6.0 H | 50>80 | 17000 | 883 | 2290 | 6000 | 6200 | 320x320 | 510 | 145 | 540 | 200 | 600 | 125 | 90 | 900 | 435 | • | ○ | ○ | ○ |
| EVO 88 6.0/S H | 50>80 | 17000 | 863 | 2290 | 6000 | 6200 | 320x320 | 510 | 145 | 370 | 200 | 440 | 125 | 90 | 750 | 300 | • | ○ | ○ | ○ |
| EVO 108 6.9 H | 70>100 | 18000 | 955 | 2315 | 6900 | 7100 | 320x360 | 525 | 70 | 450 | 200 | 600 | 125 | 90 | 900 | 490 | • | ○ | ○ | ○ |
| EVO 108 6.9/S H | 70>100 | 18000 | 935 | 2315 | 6900 | 7100 | 320x360 | 525 | 70 | 295 | 200 | 440 | 125 | 90 | 750 | 360 | • | ○ | ○ | ○ |

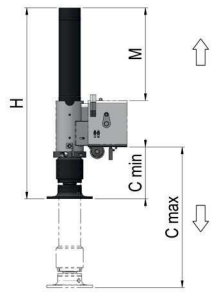
- lisävaruste
- vakiovaruste

Lisävarusteena "PLE predisposition kit" (mikrokytkinsarja), jolloin tukijalat täyttävät EN12999-A2:n vaatimukset

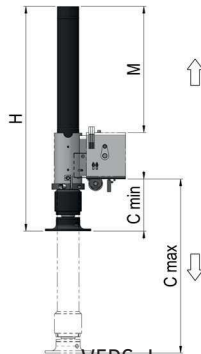




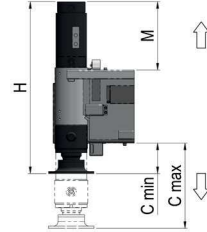
VERS: S



VERS: STANDARD

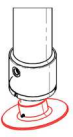
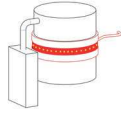
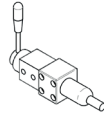



VERS: L



VERS: EVO 88-108

LISÄVARUSTEET

| 1 - nostosylinterin maalevy | 2 - LED-nauha | 3 - RD-venttiili | 4 - sylinterin jatkokappale |
|---|---|---|--|
|  |  |  |  120 mm |

